

SPEARS

M-SYSTEM



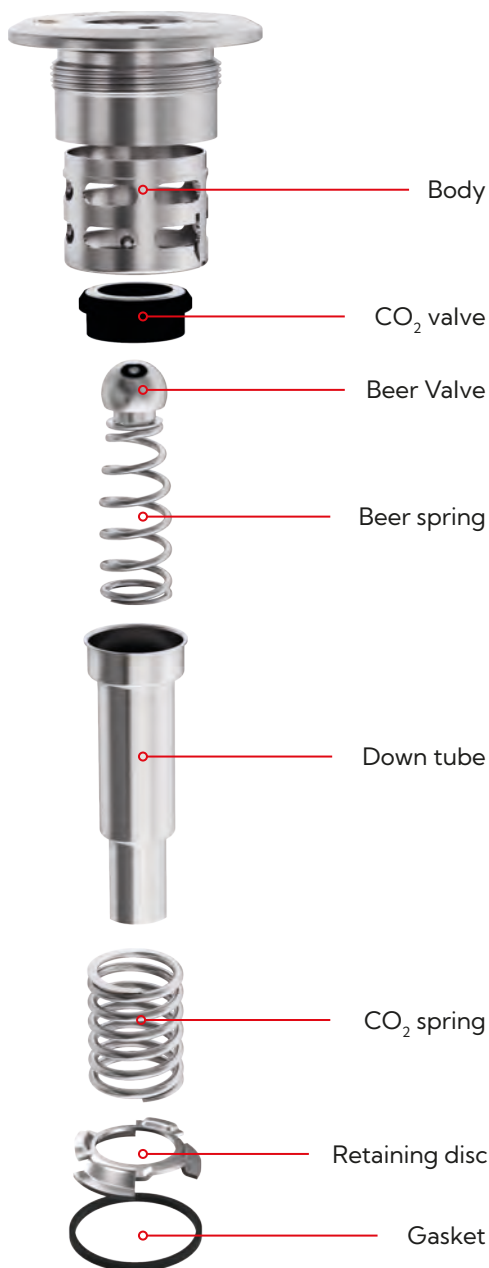
AOBAOSI

SPEARS

M-SYSTEM

The Aobaosi M-system is designed with a round flange and dual-valve operation for enhanced safety and performance. It now includes a unique year coding system. Its hygiene features have also been optimized to meet the highest industry standards.

Exploded View



Cut In Two View



SPEARS

M-SYSTEM

Assembly Drawing

- 1, Body [SUS304 Stainless Steel]
- 2, CO2 Valve [EPDM]
- 3, Ball [SUS304 Stainless Steel]
- 4, Spring [SUS304 Stainless Steel]
- 5, Tube [SUS304 Stainless Steel]
- 6, Retaining Disc [SUS304 Stainless Steel]
- 7, Sealing Ring [EPDM]

weight calculation ±5% / Gewichtsrechnung ±5%

$m[g] = H3-9 \cdot [mm] \cdot 0.315 \frac{g}{mm} + 300g$

Pos	Quantity	Art.-No.	Title
1	1	JM-MX-02-1	Body
2	1	JM-MX-01-2	CO2 Valve
3	1	JM-MX-01-3	Ball(ss)
4	1	JM-MX-01-4(6)	Spring
5	1	CJG-HJ-01	Tube
6	1	JM-SX-01-6	Retaining Disc
7	1	JM-AX-01-6	Seal

Mark	Revision	Area	File No	Sign	Date
Design			Standard		
Calculation			Discussion		
Inspection					
Procedure			Sign		

Assembly Drawing

Phase Marker	QTY	Weight	Scale

Total 1 page The first page

Zhejiang Aobaosi Machinery Co. LTD

M type Spear (With Lock)

JM-MX-02