

SPEARS

D-SYSTEM



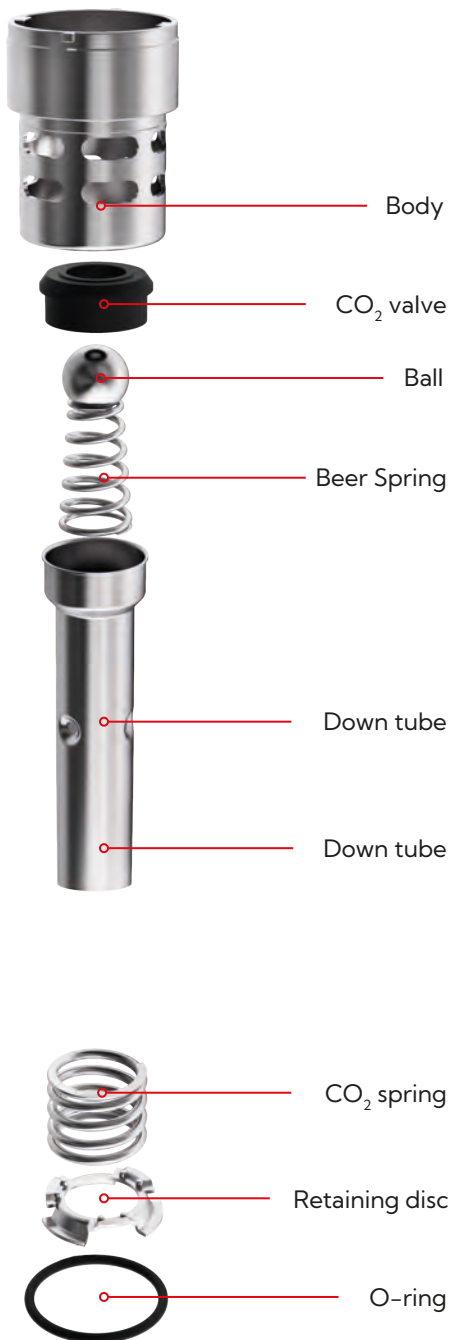
AOBAOSI

SPEARS

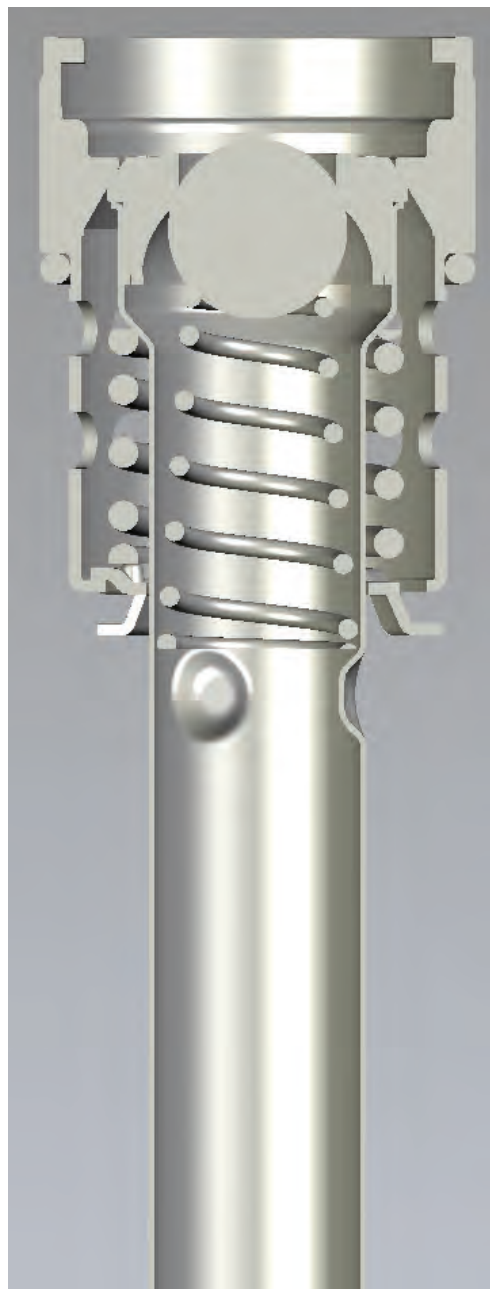
D-SYSTEM

The Aobaosi D-System offers a secure well-type design with dual-valve operation. The spear is designed to facilitate easy maintenance and optimal cleanliness. An integrated de-gassing function enhances safety, ensuring smooth and secure operation.

Exploded View



Cut In Two View



D-SYSTEM

Assembly Drawing

10-Z0-WC

Dimensions: $\phi 53.7^{+0.1}$, $\phi 38.9^{+0.1}$, 3.08, 9.5, 14 ± 0.1 , 22.4, $2.5^{+0.1}$, $\phi 50.2^{+0.1}$, $\phi 43.5 \pm 0.1$, $\phi 44.4$, $\phi 25$, 12, 40, $\phi 40.0$

Labels: HB+16, Keg Neck Fassmuffe, Mark is 2.5mm high


Exploded View Labels:

- 1, Body [SUS304 Stainless Steel]
- 2, CO2 Valve [EPDM]
- 3, Ball [SUS304 Stainless Steel]
- 4, Spring 3# [SUS304 Stainless Steel]
- 5, Tube [SUS304 Stainless Steel]
- 6, Spring 1# [SUS304 Stainless Steel]
- 7, Retaining Disc [SUS304 Stainless Steel]
- 8, Sealing Ring [EPDM]

Weight calculation $\pm 5\%$ / Gewichtsrechnung $\pm 5\%$
 $m[g] = HB-9, [mm] \times 0.315 \frac{g}{mm} + 300g$

Pos	Quantity	Art.-No.	Title
1	1	JM-D2-01-1	Body
2	1	JM-D1-01-2	CO2 Valve
3	1	JM-D1-01-3	Ball(ss)
4	1	JM-D1-01-5	Spring 3#
5	1	JM-D1-01-6	Tube
6	1	JM-D2-01-4	Spring 1#
7	1	JM-SX-01-6	Retaining Disc
8	1	JM-SX-01-5	Sealing Ring

Mark	Revision	Area	File No	Sign	Date
Design			Standard		
Calculation			Discussion		
Inspection					
Procedure			Sign		



Assembly Drawing

Phase Marker	QTY	Weight	Scale
Total 1 page		The first page	

Zhejiang Aobaosi Machinery Co. LTD

D type Spear (With Lock)

JM-D2-01